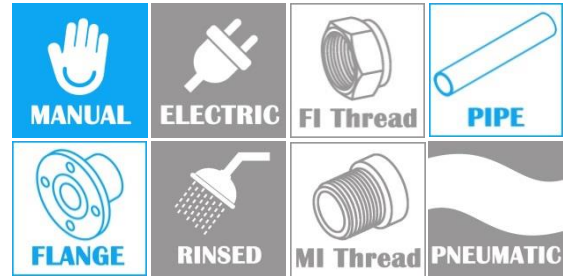
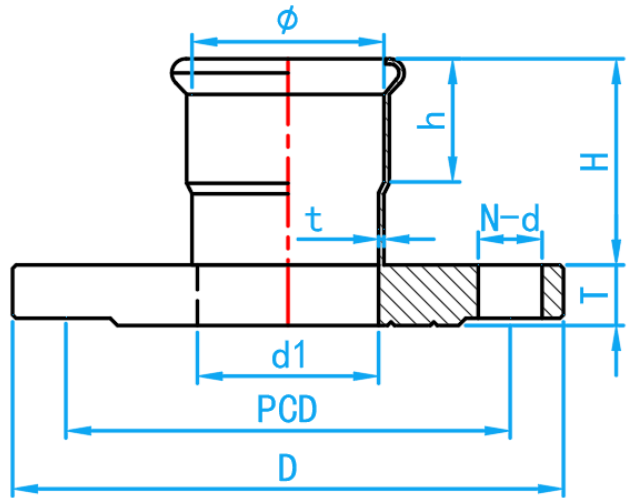


STAINLESS STEEL 304 PRESS FIT FITTINGS (M PROFILE)

COMPLY WITH BSEN1254-2: 1998
AS 3688: 2005
AS/NZS 4020: 2005
SS 375: 2015
SS 270: 2015
BS 4504 PN16



PRESSFIT FLANGE SOCKET



CROSS SECTIONAL VIEW

DIMENSIONS

| SKU | ϕ (mm) | D (mm) | PCD (mm) | d1 (mm) | NO.S OF HOLS | d (mm) | T (mm) | H (mm) | h (mm) | t (mm) | WEIGHT (kg) |
|----------------|----------------|-----------|-------------|------------|-----------------|-----------|-----------|-----------|-----------|-----------|----------------|
| SSPFNFLS01515 | 15 | 95 | 65 | 12 | 4 | 14 | 14 | 26 | 20 | 1.5 | - |
| SSPFNFLS02020 | 22 | 105 | 75 | 18 | 4 | 14 | 16 | 28 | 21 | 1.5 | - |
| SSPFNFLS02525 | 28 | 115 | 85 | 24 | 4 | 14 | 16 | 30 | 23 | 1.5 | 1.000 |
| SSPFNFLS03535 | 35 | 130 | 100 | 31 | 4 | 18 | 18 | 33 | 26 | 1.5 | 1.100 |
| SSPFNFLS04242 | 42 | 140 | 110 | 38 | 4 | 18 | 18 | 43 | 31 | 1.5 | 1.500 |
| SSPFNFLS05050 | 54 | 155 | 125 | 50 | 4 | 18 | 19 | 43 | 36 | 1.5 | 1.800 |
| SSPFNFLS06565 | 67 | 175 | 145 | 63 | 4 | 18 | 18 | 68 | 50 | 2.0 | 2.400 |
| SSPFNFLS08080 | 76 | 190 | 160 | 72 | 8 | 18 | 20 | 70 | 51 | 2.0 | 3.100 |
| SSPFNFLS100100 | 108 | 210 | 180 | 104 | 8 | 18 | 22 | 95 | 75 | 2.0 | 3.700 |